



PREX3000 VECTOR INVOLUTE TYPE PNEUMATIC DIFFERENTIAL PRESSURE TRANSMITTERS

MODEL: KKP 15/16/17/18 (LOW GAUGE PRESSURE)

The PREX3000 instruments are pneumatic type transmitters which employ a combination of vector balance mechanism and involute mechanism.

The instruments are featured by high resistance against adverse environments, high turn-down ratio, high accuracy, and ease of maintenance.

Standard Specifications

Item	Specifications									
Measuring range (continuously adjustable)	KKP 15: 0-0.35 to 0-7 kgf/cm ²									
	KKP 16: 0-0.1 to 0-2 kgf/cm ²									
	KKP 17: 0-25 to 0-500 mmHg									
	KKP 18: 0-5 to 0-100 mmHg									
Working pressure, Overload protection, Process connection (refer to note.)	Model No.	Working pressure		Overload protection		Process connection				
	KKP15	-1 ~ +10.5 kgf/cm ²		14 kgf/cm ²		Rc ½ or ¼ internal thread, ½ or ¼ NPT internal thread				
	KKP16	-1 ~ +3 kgf/cm ²		4 kgf/cm ²						
	KKP17	-500 ~ +500 mmHg		4 kgf/cm ²						
KKP18	-100 ~ +100 mmHg		4 kgf/cm ²							
Air supply connection	Rc ¼ or ¼ NPT internal thread									
Air supply pressure	1.4 ± 0.14 kgf/cm ²									
Output	0.2-1.0 kgf/cm ² or 3-15 psi									
External load	ID 4 mm × Length 3 m + 20 cm ³ or over									
Air supply capacity	20Nℓ / minute or over, with 50 mmHg change									
Air consumption	5 Nℓ / minute or less (when balanced at output 100%)									
Accuracy, Dead band	Model No.	KKP15(kgf/cm ²)		KKP16(kgf/cm ²)		KKP17(mmHg)		KKP18(mmHg)		
	Span	0.35 to less than 0.7	0.7 or over	0.1 to less than 0.2	0.2 or over	25 to less than 50	50 or over	5 to less than 10	10 to less than 70	70 or over
	Accuracy (%FS)	±1	±0.5	±1	±0.5	±1	±0.5	±1	±0.5	±0.75
	Dead band (%FS)	0.1		0.1		0.1		0.1		
Operating temperature	Meter body (process fluid): -40 to +120°C									
	Transmitter (ambient): -30 to +80°C									
Operating humidity	10 to 90% RH									
Construction	Dustproof and waterproof, meets			IEC IP54, NEMA Type 3R, JIS F8001 Class 3 splashproof, JIS C0920 rainproof						
Materials	Bellows:		SUS316							
	Wetted parts gasket:		Teflon							
	Cover:		Carbon steel (SF45A) or SUS316							
	Transmitter case:		Aluminium alloy							
Finish	Acryl baking finish Color: Light beige (MUNSELL 4Y 7.2 / 1.3)									
Mounting	On vertical or horizontal 2-inch pipe.									
Net weight	KKP15/16: Approx. 5.5kg (add 0.8 kg for air-set).					KKP17/18: Approx. 8kg (add 0.8kg for air-set).				

Optional Specifications

Item	Specifications					
	(unit: KKP15/16: kgf/cm ² KKP17/18: mmHg)					
(1) Suppression and elevation	Model No.	Span	Suppression (max.)	Spring A Elevation (max.)	Spring B High Elevation	Working Pressure (max.)
	KKP15	0.35 - 7	-1	6	6 - 10.15	10.5
	KKP16	0.1 - 2		1.8	1.8 - 2.9	3
	KKP17	25 - 500	-500	475	-	500
	KKP18	5 - 100	-100	95	-	100
	(note: elevation + span ≤ maximum operating pressure)					
(2) Air-set (filter and pressure regulator)	Primary pressure:		2-9.9 kgf/cm ²			
	Secondary pressure:		1.4 kgf/cm ²			
	Filter mesh diameter:		5 microns			
	Connections:		Rc ¼ or ¼ NPT internal thread			

Model Number Table

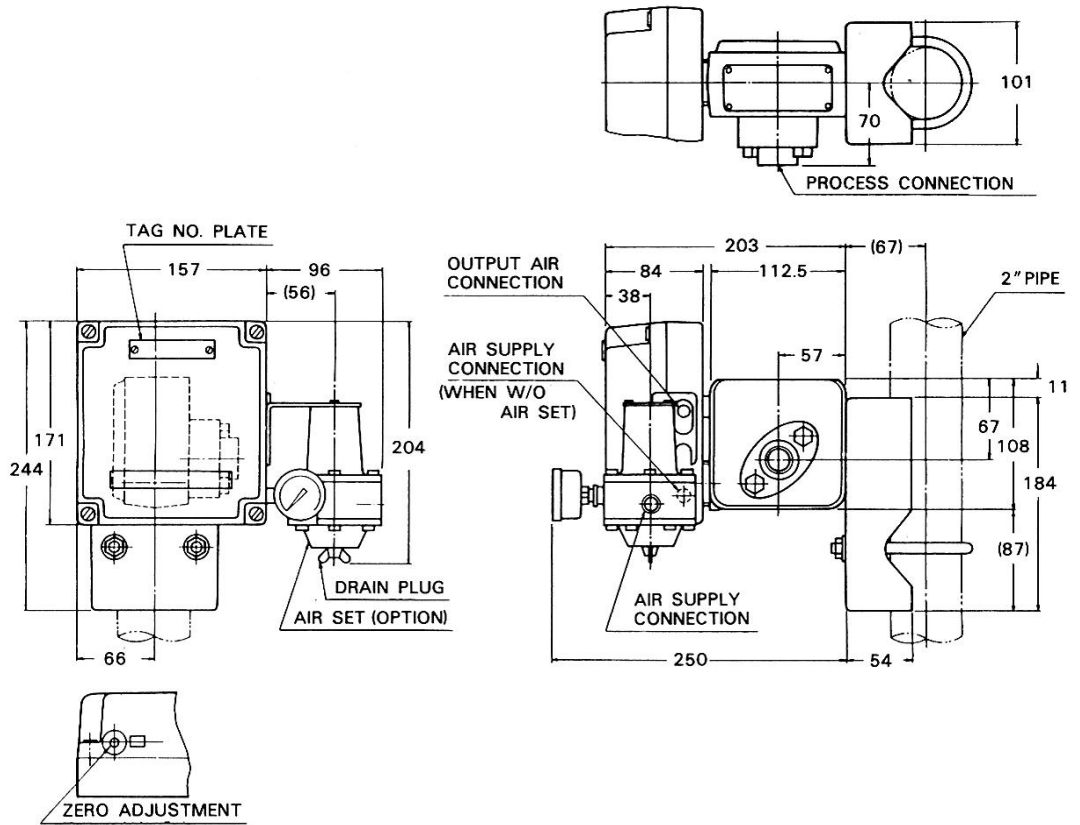
Ex: KKP15-22A1-5.7

Basic Model No.	Cover Mat'l	Bellows Mat'l	Air Piping Connection	Pneumatic Signal. Gauge Scale Unit	Options	Description
KKP 15						0-50 ~ 0-700 kgf/cm ²
KKP 16						0-12.5 ~ 0-250 kgf/cm ²
KKP 17						0-3.5 ~ 0-70 kgf/cm ²
KKP 18						0-1.75 ~ 0-35 kgf/cm ²
	-1					Carbon steel (SF45A) [KKP17/18 only]
	-2					SUS316
		2				SUS316
			A			Rc ¼ internal thread
			B			¼ NPT internal thread
				1		0.2-1.0 kgf/cm ²
				2		3-15 psi
					-X	No option
					-5	Elevation
					-6	Suppression
					-7	Air-set

Dimensions

(Unit: mm)

KKP15/16



KKP17/18

